

Ceiling Light



ALTLED®
Orion

Series

Specification Sheet

Product Introduction

Orion, often referred to as The Hunter, is one of the few constellations visible throughout the planet. Its degree of brightness can be seen and felt every time you switch on ALT's ORION products. Like any other ALT product, ALT's Orion Ceiling Light is also a truly 100% green product with its best performance on energy saving. Our Orion Ceiling Light is the best replacement for traditional halogen lamps, such as AR111, offering more than 60% energy saving and a visually pleasing functional source of light. Different from the traditional lighting system, our Orion Ceiling Light Series helps to promote products in the department store, art gallery, jewellery stores, and other elegant boutiques which makes them look astonishingly better. The cold light source will protect your products from the heat damage, and also enhance visual effects. Orion Ceiling light will give designers the possibilities to retrofit specific levels of lighting to attain the desired ambiance.

Certificates



Intertek
3186663



Features

- ✓ The Orion series ceiling light is perfect replacement for AR111.
- ✓ Integration structural design to ensure maximal heat dissipation.
- ✓ Original high-power LED chips.
- ✓ CRI 80 high-brightness.

Application

- ✓ Office Lighting.
- ✓ Commercial Lighting.
- ✓ Illumination Lighting.



Specifications

Item	Specification	Details
Output	Beam Angle	24°, 45°, 130°
	Colour Range	TW / NW / WW
	Lumen Maintenance	50,000 hours
Electrical	Input Voltage	100 ~ 240V AC
	Power Consumption	25, 30 Watt
Physical	Weight	2 kg
	Lens	Optics PMMA
	Operating Temperature	-40° F to 121° F (-40°C to 50°C)
	Humidity	0 – 95%, non-condensing
Certification and Safety	Certifications	ETL, CE, FCC, LVD, Laser Testing,
	Environment	Suitable for damp location
	Warranty	2 years
Two Million Worldwide Product Liability Insurance.		

Chipset Luminaries

Chipsets	Epistar	
Power Consumption	25 W	25 W
Beam Angle	24° / 45° / 130°	130°
True White ○	CRI 70 1600 lm	CRI 80 1800 lm
Natural White ●	CRI 70 1600 lm	CRI 80 1600 lm
Warm White ●	CRI 70 1200 lm	CRI 80 1300 lm

Chipsets		
Power Consumption	25 W	30 W
Beam Angle	130°	130°
True White ○	CRI 80 1800 lm	CRI 80 2500 lm
Natural White ●	CRI 80 1600 lm	CRI 80 2000 lm
Warm White ●	CRI 80 1300 lm	CRI 80 1800 lm

※All Chipset Luminaries Data are indicated in max values.

Optical Characteristics

Dominant Wavelength (nm) or Colour Temperature (K)

EPISTAR LED chips

Correlated Colour Temperature	Min.	Typ.	Max.
True White	4750K	5700K	10000K
Warm White	2500K	2700K	3250K

CREE LED chips

Correlated Colour Temperature	Min.	Typ.	Max.
True White	5000K	6000K	10000K
Natural White	3700K	4300K	5000K
Warm White	2600K	3000K	3700K

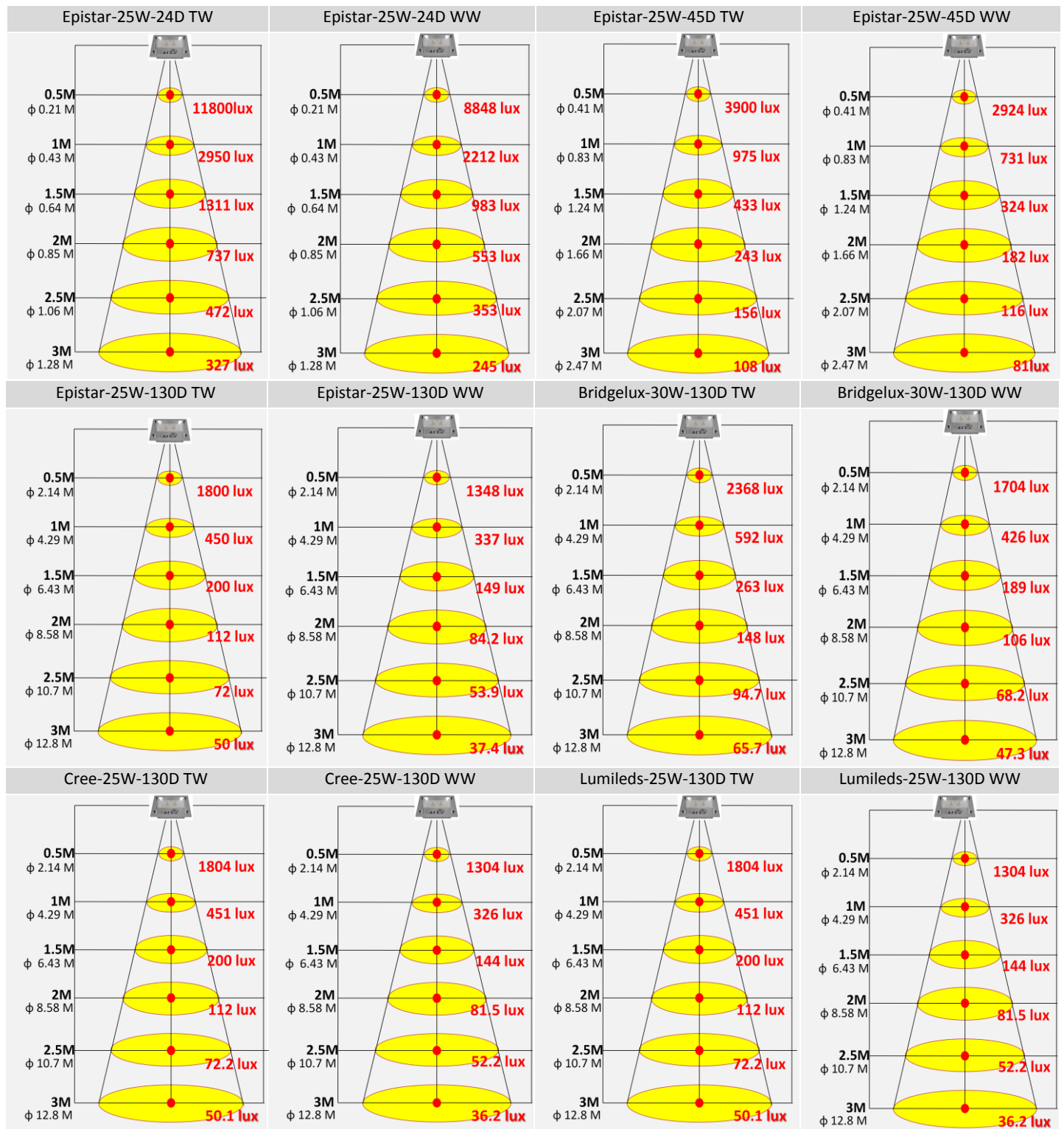
LUXEON LED chips

Correlated Colour Temperature	Min.	Typ.	Max.
True White	5000K	6000K	6500K
Natural White	3500K	4500K	5000K
Warm White	2700K	3000K	3500K

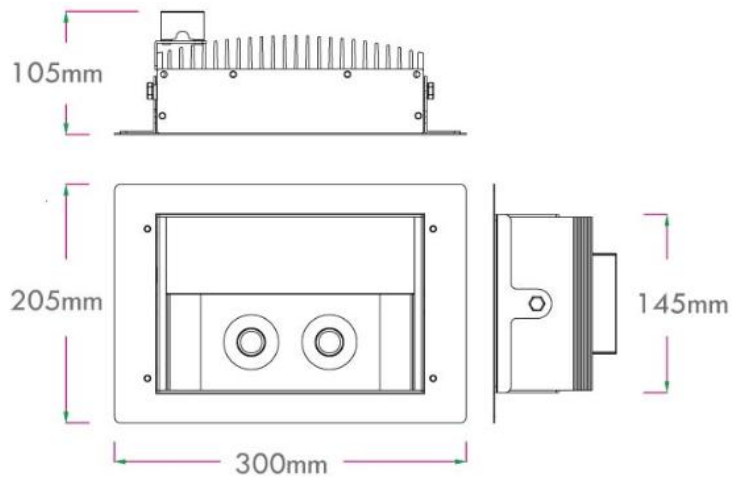
BRIDGELUX LED chips

Correlated Colour Temperature	Min.	Typ.	Max.
True White	4750K	5600K	7000K
Natural White	3700K	4100K	4750K
Warm White	2850K	3000K	3700K

Illuminance at Distance



Mechanical Dimensions



Copyright © Aeon Lighting Technology Inc. All rights reserved.

ALT and ALTED are either registered trademarks of Aeon Lighting Technology Inc. in Taiwan and/or other countries. All other brand or products names are trademarks or registered trademarks of their respective owners. Due to continuous improvement and innovations, specifications may change without notice.

Aeon Lighting Technology Inc.
16F-8., No.2, Jian 8th Rd., Chung-Ho City, Taipei
County 235, Taiwan (R.O.C.)
Tel +886-2-8226-1289
Fax +886-2-8226-9066
www.aeonlighting.com

